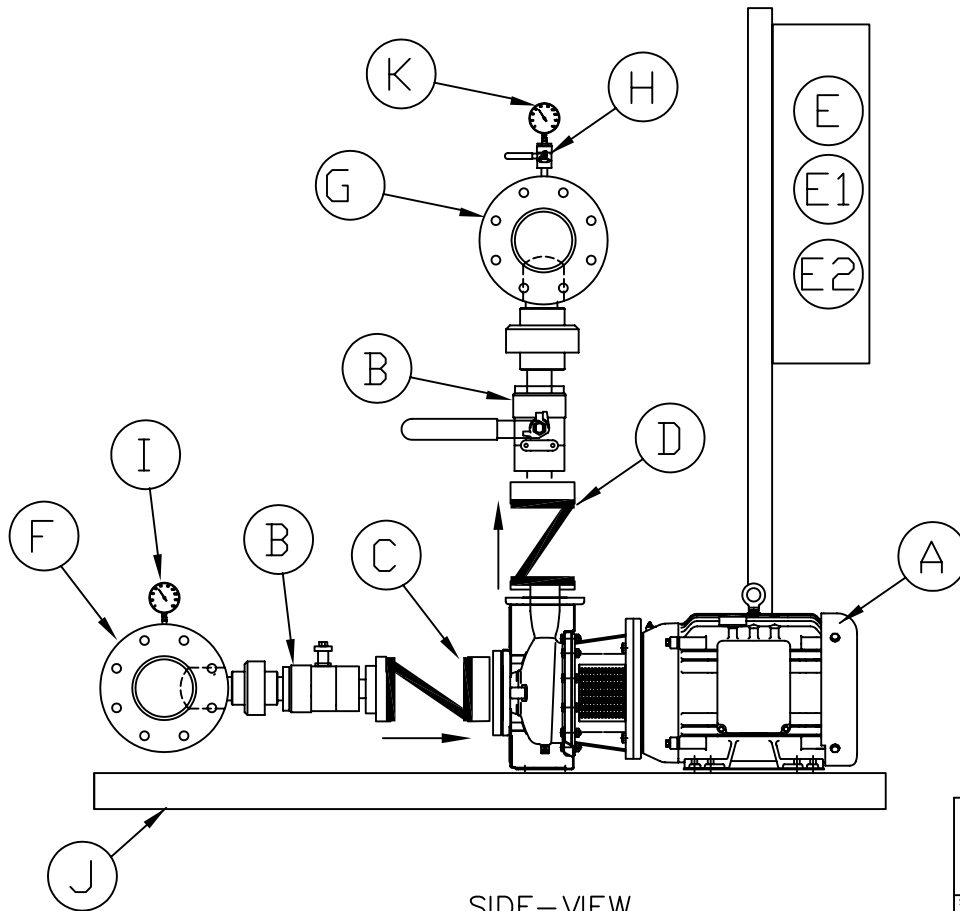


TOP-VIEW



SIDE-VIEW

BILL OF MATERIAL		
ITEM	QTY	DESCRIPTION
A	2	PUMP
B	AR	ISOLATION VALVE: 2" SUCTION/DISCHARGE
C	AR	CHECK VALVE: 2" SUCTION
D	AR	CHECK VALVE 2" DISCHARGE
E	AR	CONTROL PANEL:
E1	AR	MAIN DISCONNECT
E2	AR	VARIABLE FREQUENCY DRIVES
F	AR	HEADER: SUCTION, 3" OR 4" (SPECIFY)
G	AR	HEADER: DISCHARGE, 3" OR 4" (SPECIFY)
H	AR	1/4" BALL VALVE
I	AR	LOW SUCTION ALARM/PRESSURE GAUGE
J	AR	BASE: CHANNEL STEEL
K	AR	DISCHARGE PRESSURE GAUGE

NOTES

1) DRAWING IS FOR ILLUSTRATION PURPOSES ONLY

HPS INCORPORATED

SCALE: N.A.	APPROVED BY:	DRAWN BY: M.E.P.
DATE: 10-18-10		REVISED: REV. 0

HPS DUPLEX PUMP SYSTEM

DUPLEX MULTI-PUMP BOOSTER SYSTEM	DRAWING NUMBER: HPS-DUPLEX
-------------------------------------	-------------------------------